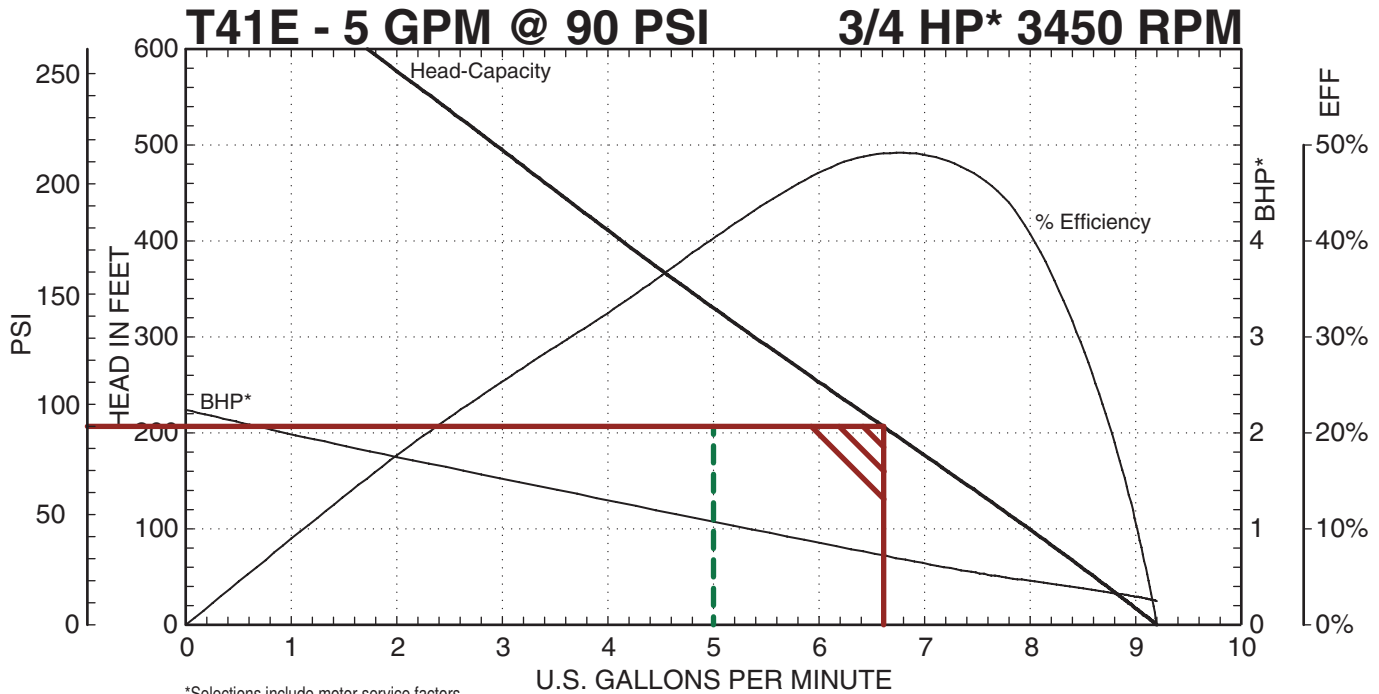
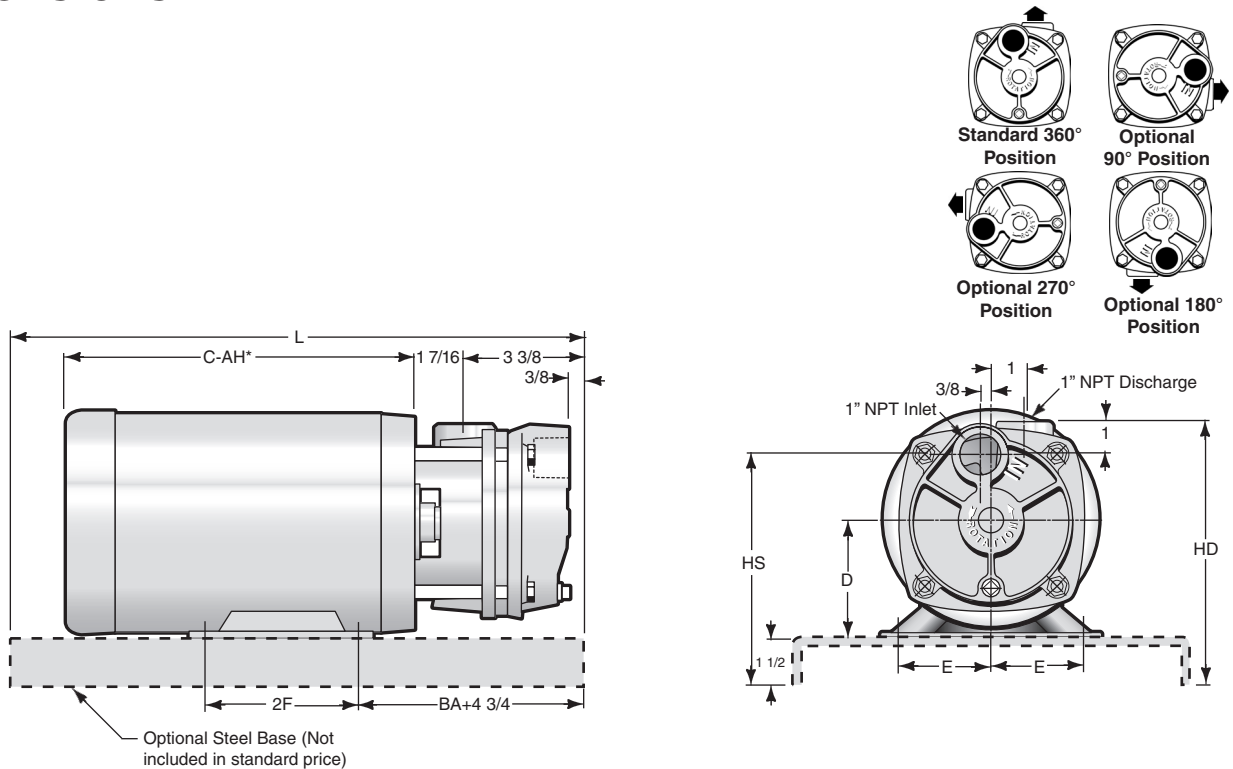


T41E Jockey Pump Submittal Sheet

Performance Curve



Dimensions



3/4 Horepower Motor Dimensions

| FRAME | D | BA+4 3/4 | 2F | E | H | HS | HD | L |
|-------|-------|----------|----|--------|-----------|----|----|----|
| 56 C | 3 1/2 | 7 3/8 | 3 | 2 7/16 | 5/16 - 18 | 7 | 8 | 18 |

NOTES

All dimensions in inches. May vary \pm 1/4 inches.
 Not for construction purposes unless certified.
 *See motor dimensions for "C-AH" dimension
 (Varies depending on motor enclosure).

© Copyright 2019 MTH Tool Company, Inc.



401 West Main Street • Plano, IL 60545-1436
 Phone: 630-552-4115 • Fax: 630-552-3688
 Email: SALES@MTHPUMPS.COM
<http://WWW.MTHPUMPS.COM>

Dated February 2019

Horizontal Close Coupled Design Specifications

The contractor shall furnish (and install as shown on the plans) an MTH T41 Series horizontal close coupled regenerative turbine type pump model T41E size 1" by 1" of bronze fitted construction. Each pump shall have a capacity of ____GPM when operating at a total PSI of _____. Suction pressure will be ____feet with a liquid temperature of ____°F.

The pump is to be furnished with a mechanical seal with stainless steel metal parts, Buna elastomers, ceramic seat and carbon washer. A stainless steel shaft or a shaft sleeve shall be furnished in pumps up to three horsepower and a 316 stainless steel shaft in pumps five horsepower and larger.

The pump casing shall be vertically split two piece, end suction and top discharge with water passageways accurately machined into each piece. The impeller shall be hydraulically self centering and no external adjustment shall be necessary.

The pump shall be close coupled to a standard NEMA "C" face 3/4 HP ____phase ____Hertz ____voltage ____RPM horizontal open drip proof motor. The motor shall be sized to prevent overloading at the highest head condition listed in the specifications.

1-Phase Bills of Materials

| Item ID: 8C-T410EBFSCXSAXX-CF71AD | | |
|--|---|------------|
| Item Description: T410E BF T21 Cer C/C 3/4 HP 1/60/115/208-230V 3450 RPM ODP Motor | | |
| Item Number | Description | Qty Needed |
| 12-1068-01-457 | Type 21 Rotating Element .875" Buna Seal | 1 |
| 1-2216-0E-543 | T41 E Motor Bracket, Teflon Coated | 1 |
| 2-2206-0E-543 | T41 E Cover, Teflon Coated | 1 |
| 17-1390-01-181 | Sleeve, Shaft, Brass | 1 |
| 15-1168-01-104 | Setscrew, 18-8 SS | 2 |
| 125-1282-01-592 | Seal Seat, 0.875 Ceramic, O-Ring Style | 1 |
| 22-4265-01-101 | Plug, 1/8 SAE | 1 |
| 135-1179-01-457 | O-ring, -218 Buna Included w/ Seat | 1 |
| 7-3970-01-457 | O Ring, .902 Buna (Drain Plug) | 1 |
| 7-2479-01-457 | O Ring, -159 Buna | 1 |
| DLC-1242-07-ODP | Motor, 56C-Face, DLT Electric, 1/3 Hp, 1 Phase, 2 Poles, ODP CC | 1 |
| 19-1997-01-080 | Machine Bolt, 3/8-16 + 4"L | 4 |
| 23-1487-01-080 | Key, Sleeve | 1 |
| 11-2226-0E-206 | Impeller, T41E Bronze | 1 |
| 23-1022-01-104 | Drive Key, 316SS | 1 |
| 14-1049-01-080 | Drive Collar | 1 |

1-Phase Motor Nameplate

DLT Electric, LLC
 202 West Main Street • Plano, IL 60545

| | | |
|------------------|-----------|-------------|
| HP 3/4 | SF 1.50 | PH 1 |
| HZ 60 | RPM 3450 | INS B |
| VAC 115/208-230 | FR 56C | MAX AMB 40C |
| FLA 10.7/5.1-5.3 | ENC ODP | KVA CODE P |
| SFA 13.6/7.4-6.8 | DUTY CONT | |

SN: C09-JUL-1
 PN: DLC-1242-07-ODP-G

| | | |
|-------------------------|-----------|-------------|
| HP 3/4 | SF 1.0 | PH 1 |
| HZ 50 | RPM 2850 | MAX AMB 40C |
| VAC 100-110/200-220 | DUTY CONT | |
| FLA 11.96-13.14/6.0-6.8 | | |

Connections

Rotation is CCR facing shaft end to reverse rotation switch red and black leads.

WARNING
 ALWAYS DISCONNECT MOTOR FROM POWER BEFORE SERVICING
 THERMALLY PROTECTED AUTOMATIC RESET
 Klixon CEJ-51-CY
 MOTOR WILL RESTART WITHOUT WARNING AFTER PROTECTOR TRIPS. DO NOT INSTALL THIS MOTOR ON EQUIPMENT WHERE AUTOMATIC START UP COULD RESULT IN INJURY

GROUNDING
 FATAL ELECTRICAL SHOCK MAY RESULT IF MOTOR FRAME AND ADJACENT METAL IS NOT GROUNDED IN COMPLIANCE WITH ELECTRICAL CODE.

NOTE: NUT REQUIRED WITH CONDUIT FITTING

3-Phase Bills of Materials

| Item ID: 8C-T410EBFSCXSAXX-CF79ED | | |
|--|---|------------|
| Item Description: T410E BF T21 Cer C/C 3/4 HP 3/60/208-230/460V 3450 RPM ODP motor | | |
| Item Number | Description | Qty Needed |
| 12-1068-01-457 | Type 21 Rotating Element .875" Buna Seal | 1 |
| 1-2216-0E-543 | T41 E Motor Bracket, Teflon Coated | 1 |
| 2-2206-0E-543 | T41 E Cover, Teflon Coated | 1 |
| 17-1390-01-181 | Sleeve, Shaft, Brass | 1 |
| 15-1168-01-104 | Setscrew, 18-8 SS | 2 |
| 125-1282-01-592 | Seal Seat, 0.875 Ceramic, O-Ring Style | 1 |
| 22-4265-01-101 | Plug, 1/8 SAE | 1 |
| 135-1179-01-457 | O-ring, -218 Buna Included w/ Seat | 1 |
| 7-3970-01-457 | O Ring, .902 Buna (Drain Plug) | 1 |
| 7-2479-01-457 | O Ring, -159 Buna | 1 |
| FRC-1250-07-ODP | 1/2 HP 3/60/230/460V 3450 RPM ODP Bluffton [3/50/190/380--2880] | 1 |
| 19-1997-01-080 | Machine Bolt, 3/8-16 + 4"L | 4 |
| 23-1487-01-080 | Key, Sleeve | 1 |
| 11-2226-0E-206 | Impeller, T41E Bronze | 1 |
| 23-1022-01-104 | Drive Key, 316SS | 1 |
| 14-1049-01-080 | Drive Collar | 1 |

3-Phase Motor Nameplate

BLUFFTON MOTOR WORKS

410 E. Spring St.
Bluffton, Indiana 46714

Blank

MOD 1303007156
REF 1250-07-ODP

| | | | | | |
|---------------|-----------------|-----------------|-----------------|----------------|-----------|
| 60 HZ | | 50 HZ | | FR 56C | PH 3 |
| HP 3/4 | 3/4 | RPM 3450 | 2875 | INS B | |
| V 208-230/460 | 190-220/380-440 | FLA 2.6-2.6/1.3 | 3.0-3.2/1.5-1.6 | ENC D P | |
| SF 1.5 | 1.0 | SFA 3.4-3.4/1.7 | Blank | TIME RATE CONT | |
| Blank | | Blank | | PH CODE L | DATE CODE |

LOW VOLTAGE

HIGH VOLTAGE

WARNING- Always disconnect motor from power supply before servicing.
MOTOR CONTAINS NO THERMAL PROTECTOR- Separate over current protection must be provided to prevent burnout and possible fire hazard from overload or stalled motor.
GROUNDING- Fatal electrical shock may result if motor frame and adjacent metal are not grounded in compliance with electrical code.



401 West Main Street • Plano, IL 60545-1436
 Phone: 630-552-4115 • Fax: 630-552-3688
 Email: SALES@MTHPUMPS.COM
 http://WWW.MTHPUMPS.COM